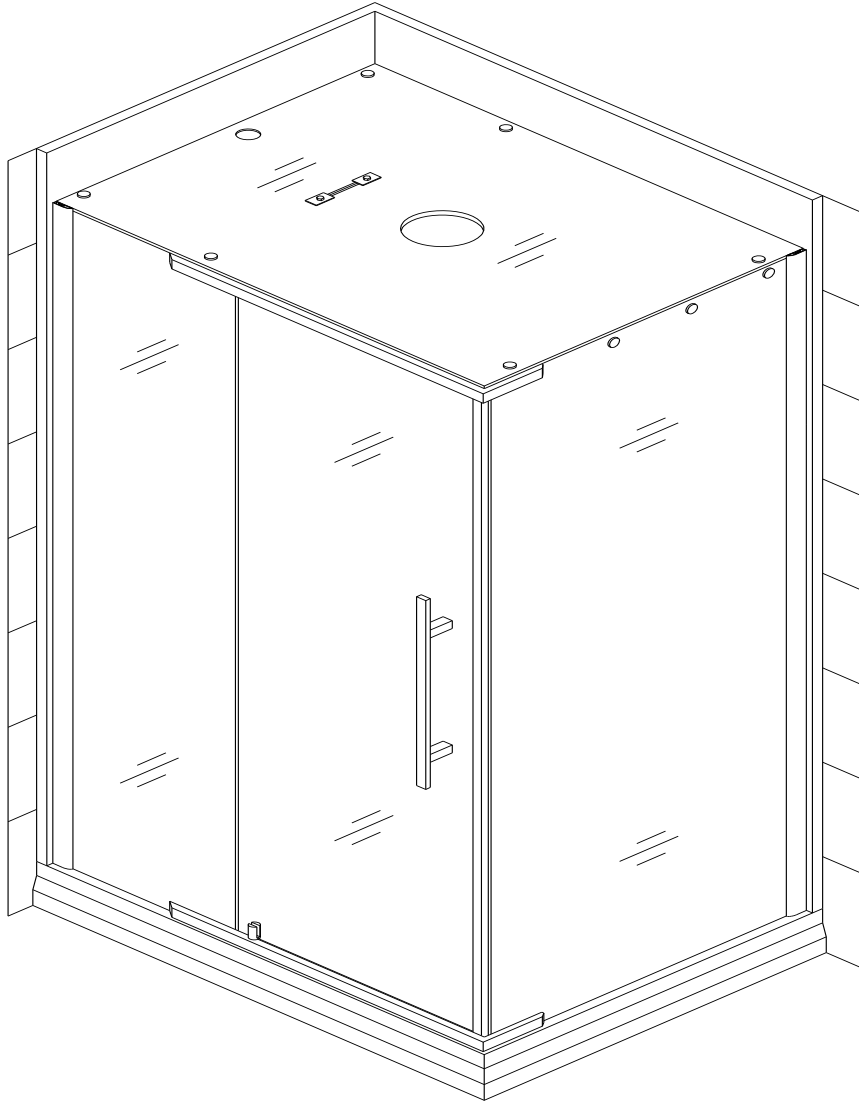




## MAJESTIC Steam Cabin Installation Instructions

### **IMPORTANT**

Please read carefully the following instructions before installing your steam cabin. If you have any questions on this steam cabin installation, please call our technical support specialists Monday to Friday 9:00AM – 5:00PM EST at 1-866-731-8378 Option 3 or e-mail our technical support group at [support@BathAuthority.com](mailto:support@BathAuthority.com)



**Our product may have changes without prior notice**

## **WARNING**

Please, make sure you do the following:

- ✓ Electrical grounding is required on the steam generator;
- ✓ All electrical supplies must be disconnected when servicing the steam generator;
- ✓ All wiring must be installed by a licensed electrician (please consult your local codes);
- ✓ All plumbing must be installed by a licensed plumber (please, consult your local codes);
- ✓ Never shut off water while steam generator is in use;
- ✓ Never touch the wiring while the unit is in use to avoid electric shock due to high voltage that runs in the equipment.

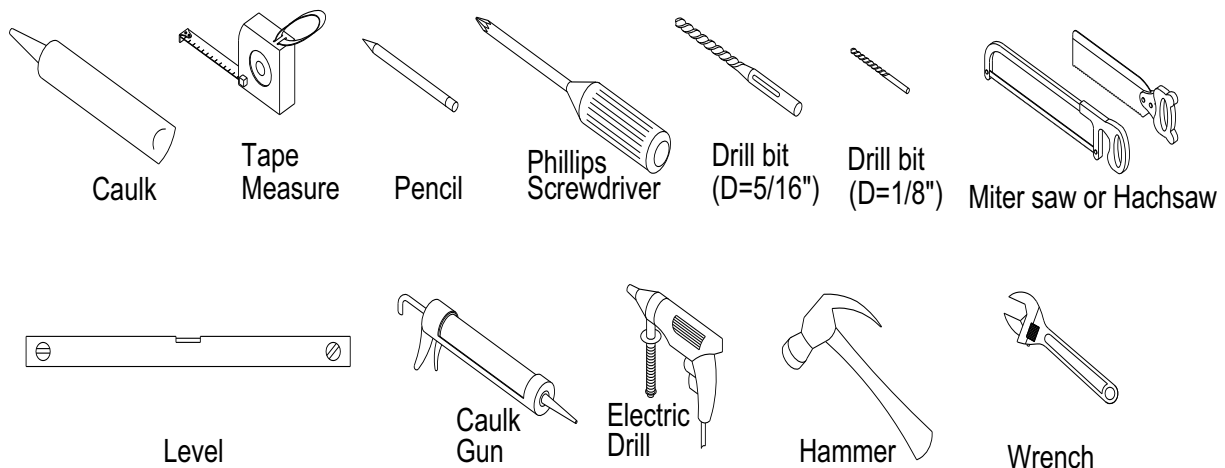
Follow these steps to avoid the risk of overheating or scalding:

- ✓ Exit the shower cabin immediately if you feel uncomfortable, dizzy or sleepy. By staying too long in a heated area you increase the risk of overheating;
- ✓ Do not touch the steam head. Keep 12" distance from the steam outlet when generator is in use;
- ✓ Do not touch the Shower column when you are using the steam. It can get hot and cause burns;
- ✓ Make sure children are under supervision at all times;
- ✓ Consult your doctor before using the steam shower cabin if you are pregnant, diabetic, in poor health or under medical care;
- ✓ Do not use alcohol, drugs or medication in conjunction with taking a steam shower as this may cause unconsciousness.

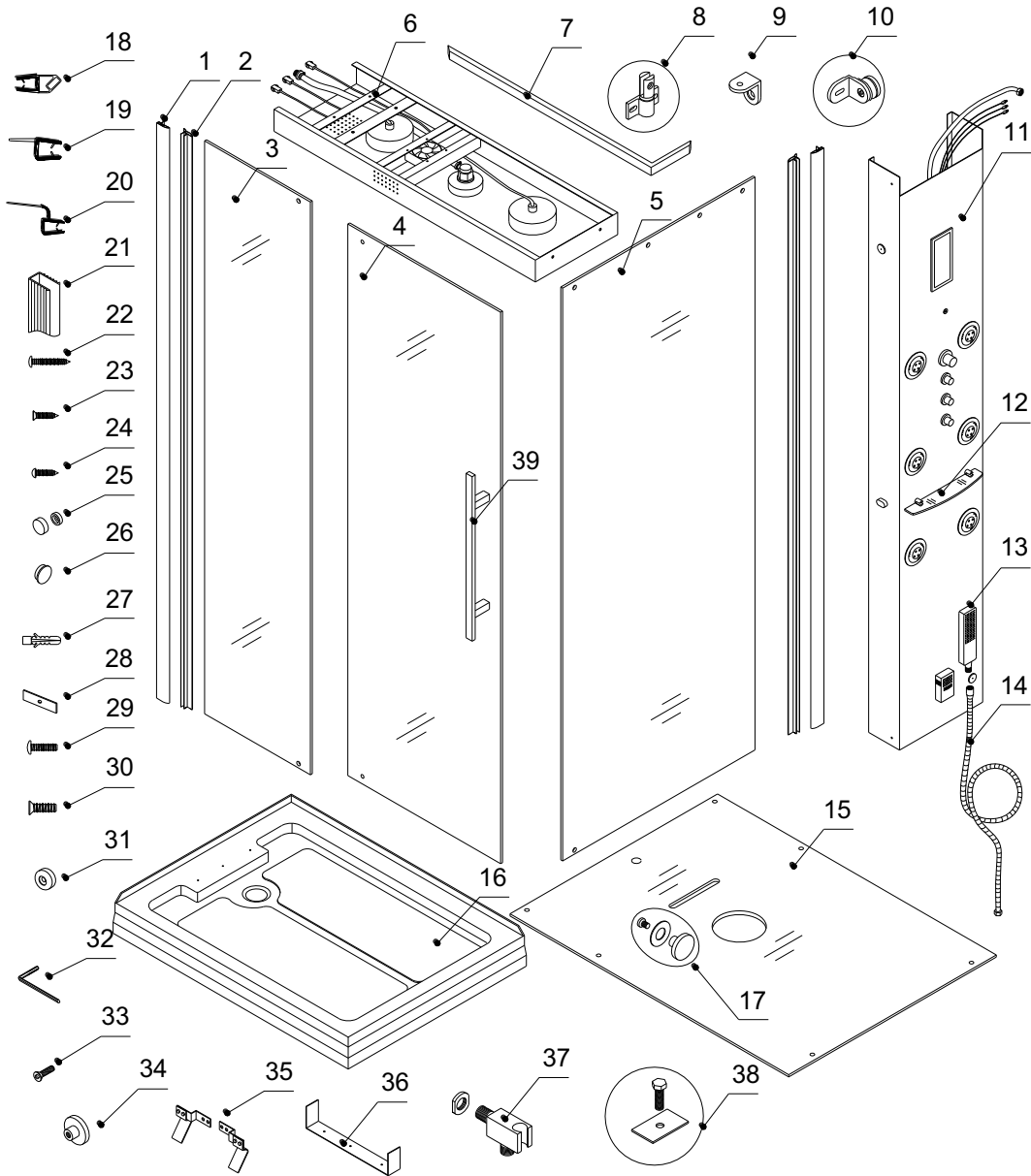
## **Preparation**

1. After opening all boxes, read this introduction carefully, verify that all packed parts are complete by cross checking all the components against the "Detailed Diagram of Steam Cabin Components". Examine for shipping damage. If the unit has been damaged please contact your local distributor. Contact your distributor if you have any other questions on this product questions.
2. Please note that you should consult your local building codes on questions on installation compliance standards. Building and plumbing codes vary by country and location, and DreamLine™ or your local dealers or distributors are not responsible for code compliance standards for your project.
3. Install all of the required plumbing and drainage before securing the shower. **Use a competent and licensed (if required by local code) plumber for all plumbing installation and licensed electrician for all electric installation.**
4. Please ensure that prior to the installation the floor is leveled and solid and will be able to support the total weight of the unit and its occupant. Also make sure the walls are at right angles. While some adjustment in leveling of the tray is possible, irregular floor level or improper angle of side walls will result in serious problems for your installation. Please note that there are some adjustments and drilling might be necessary during the installation process.
5. The tray should be installed against the studs.
6. The enclosure should be installed on the tray against the finished walls.
7. During transportation and storage plumbing connections can get loose. Please check all connections before final assembly.

## **Tools Required**



# Detailed Diagram of Steam Cabin Components



## Packing List

01	Wall profile	2pcs	21	U-shape seal gasket	2pcs
02	Glass profile	2pcs	22	Round head screw ST4.2×30	20pcs
03	Narrow stationary glass	1pc	23	Flat head screw ST4.2×18	10pcs
04	Glass door	1pc	24	Round head screw ST4.2×16	2pcs
05	Wide stationary glass	1pc	25	Decorative cover	2pcs
06	Horizontal shower column	1pc	26	Plug	10pcs
07	L-Pivot bar	2pcs	27	Wall anchor	17pcs
08	Pivot assembly	2pcs	28	Gasket	4pcs
09	Bracket	3pcs	29	Socket head bolt M8×14	4pcs
10	Roof bracket	3pcs	30	Socket head bolt M8×20	4pcs
11	Shower column	1pc	31	Washer	2pcs
12	Glass shelf	1pc	32	Hex wrench	1pc
13	Hand shower	1pc	33	Flat head bolt M6×16	4pcs
14	Hose	1pc	34	Ø30 head nut	4pcs
15	Roof	1pc	35	Column wall bracket (left and right)	2pcs
16	Tray	1pc	36	Retainer	1pc
17	Bolt	2sets	37	Hand shower union	1pc
18	Magnetic strip	1pair	38	Bolt M8*24 with gasket	2sets
19	Anti-water strip	3pcs	39	Handle	1pc
20	Flanged anti-water strip	1pc	40		

**After you have checked that all components are there, you will be ready to start the installation of your DreamLine™ steam cabin.**

## **Tray Installation**

Please insure that prior to the installation the floor is leveled and solid and will be able to support the total weight of the unit and its occupant. Also make sure the walls are at right angles. While some adjustment in leveling of the tray is possible, irregular floor level or improper angle of side walls will result in serious problems for your installation.

**IMPORTANT NOTE:** Dimensions provided for reference only. You must measure the actual shower tray sizes before installation. Allowed tolerance for center of the drain is  $\pm 1/2$ ".

1. Choose a position where you want to install the unit tray and refer to fig. 1 to mark out drain location in the floor. If your **Tray (16)** is for right-hand installation, the water outlet, drain hole and power outlet should be on the right side as well. See fig. 1 & 7 for details.
2. Install the shower drain onto the tray according to the drain installation manual (supplied with the drain). See fig. 2 for details.
3. Ensure the floor and stud walls are at the right angle. Provide a 5"x5" opening in the floor for the drain. The waste pipe should extend above the surface of the sub-floor. See fig. 3 and 4 for details.
4. Place the **Tray (16)** in the required position with both flanged sides firmly against the studs. Level the tray and place marks on studs on the upper edge of the tile flange. Remove the tray from the place. Mix the bedding material (mortar, plaster, etc.). Please note that concrete is not recommended. Spread enough bedding material to support the entire bottom of the shower tray. See fig. 4 & 5 for details.
5. After the bedding material has been poured and before it sets, place the tray in position with the drain assembly sliding over the waste pipe; it will be necessary to push the shower tray until the top of the tile flange aligns with the marks drawn on the wall studs and the front edge is contacting the rough floor along the entire length of the tray. Ensure that the tray is leveled in two directions. Remove all extra mortar/plaster. Allow 24 hours for the mortar to set. See fig. 6 for details.

## **Cabin Installation**

**Install the water outlet and power supply box. You need 1/2" minimum water supply lines for hot and cold water with shut off valves.**

(Note: Figure 7 shows water and power location for the Shower column to be installed on the left side of the tray left side installation.)

**Power supply is required 20A 220V dedicated #12 3/1 wire line and should be hard wired. Please check your local codes before wiring as your local requirements may be different.**

**Finish the walls with tiles or other decorative materials before continue installation.** See Fig 7 for details.

1. Attach the **Retainer (36)** onto the tray using **Round head screws ST4.2x30 (22)** through the predrilled holes in the tray. See fig. 8 for details.
2. Fasten the **Hand shower union (37)** on the side of the **Shower column (11)** and connect the hose. See fig. 9 for details.
3. Refer to fig. 9 put the shower column in place and level it vertically. Locate the holes position for the **Column Wall Brackets (35)**. Drill the holes and insert the **Wall anchors (27)**. Attach the **Column Wall Brackets (35)** to the wall using the **Round head screw ST4.2x30 (22)**.

4. Connect hot water line to the red mark water inlet and cold water line to the blue mark water inlet. Also connect the power supply line to the steam unit according to wire diagram. **Be sure to turn off the breaker before to do any power connections.** See fig.11 for details.
5. Pull the head shower supply line and wires for the top light, speaker and fan on top of the shower column for later connection. Secure the **Shower Column (11)** by **Column Wall Brackets** to the Wall and push it above **Retainer (36)**. See fig. 11 for details.
6. Drill the 1/8" hole in the **Retainer (36)** through the pre drill holes at the lower section of the **Shower column**. Secure the **Shower column** to the **Retainer (36)** using **Round head screw ST4.2×16 (24)**. Cover the exposed screw head with the **Decorative cover (25)**. See fig. 12 for details.
7. Find the **Wall profile (01)** from the package and then place it vertically on the tray. Please note that the milled end should face up and inside of the cabin. Adjust the wall profile vertically using a level, and then mark holes position for screws. Drill the holes and insert the **Wall anchors (27)**. Apply silicone sealant along the holes on the wall. Attach the **Wall profile** to wall using **Round head screws ST4.2×30 (22)**. See fig.13 for details.
8. Push the **U-shape seal gasket (21)** onto the **Narrow stationary glass (03)**. Place the stationary glass against the wall profile and then snap on the **Glass profile (02)**. Secure the **Glass profile** to the **Wall profile** with **Flat head screws ST4.2×18 (23)**. Cover the screw heads with the **Plugs (26)**. Repeat these steps to install the **Wide stationary glass (05)**. See fig. 14 for details.
9. Place the **Horizontal shower column (06)** on the top of the **Shower column**. Do not forget to pull out the head shower tubing and wire. Attach the other end of the **Horizontal shower column** to the wide stationary glass with the provided **Bolts (17)** and then connect wires for the light, the speaker and the fan and the head shower supply line. See fig. 15 for details.
10. Drill though the pre-drilled hole at the overlapping section of the two columns. Attach them with the **Round head screw ST4.2×16 (24)** and cover the exposed screw heads with **Decorative covers (25)**. See fig. 16 for details.
11. Locate the Top **L-Pivot bars (07)** and the **Brackets (09)**. Refer to Fig 17.1 to secure them onto the glass panels with the **Socket head bolts M8×20 (30)**. Refer to fig. 17.2 to install the bottom **L-Pivot** bar with the **Socket head bolts M8×20** and **Washers (31)**. Please note that the clear rubber **Gasket (28)** should be placed in between the glass and metal to prevent glass damage. Refer to Fig 17.3 to attach the third **Bracket (09)** onto the wide stationary glass panel using **Flat head bolt M6×16 (33)** and **Ø30 head nut (34)**. Refer to Fig 17.4 to fasten the **Pivot assemblies (08)** with **Socket head bolts M8×14 (29)** onto the L-Pivot bars. See Fig 17&18 for details.
12. Remove the back fastener from the pivot assemblies. Set the **Glass door (04)** so the holes are aligned. Make sure the rubber gaskets are in between the glass and the metal parts. Secure the back fastener with the provided bolt. Repeat the same steps for the second pivot assembly. Install the **Handle (39)** onto the glass door. See fig. 19&20 for details.
13. Push the **Magnetic strips (18)** on the glass door and the wide stationary glass. Push the **Anti-water strip (19)** and the **Flanged anti-water strip (20)** onto the **Glass door**. Perform necessary adjustment at the L-Pivot bars to ensure that the magnetic strips work well and the door is closing tight. See fig. 21 for details.
14. Locate the **Roof (15)**. Please note the bottom side of the **Roof** should be without paint and plastic film. Attach the three **Roof brackets (10)** to the **Roof (15)** and place the **Roof** onto the enclosure assembly. See fig. 22 for details.
15. Mark the hole locations for all **Roof brackets** on the wall. Remove the **Roof**, drill the holes and insert the **wall anchors**. Place the **Roof** back on the top of the enclosure and attach the **Glass brackets** to the walls using **Round head screws ST4.2×30 (22)**. Attach the **Roof** to both **Stationary glass panels** with already mounted **Brackets (09)**. See fig. 23 for details.
16. Secure the **Roof** to the **Horizontal shower column** with **Bolt M8×24 (38)**. See fig. 24 for details.

17. Install the **Glass shelf (12)** onto the shower column. Connect the **Hand shower (13)** and the **Hose (14)**. Push the **Anti-water strip (19)** on the **Roof** to cover the gap between the **Roof** and the upper **L-Pivot bar**. See fig. 25 for details.
18. Seal with silicone on the connections between bottom **L-Pivot bar** and the **Tray**, the **Shower column** and the wall, both **Stationary glass panels** and the **Tray**, the **Roof** and the walls and **Stationary glass panels**. Allow it to dry for 24 hours before using the cabin.

In fig. 26 the tray is shown in left-hand configuration, and in fig. 27 it is right-hand configuration.

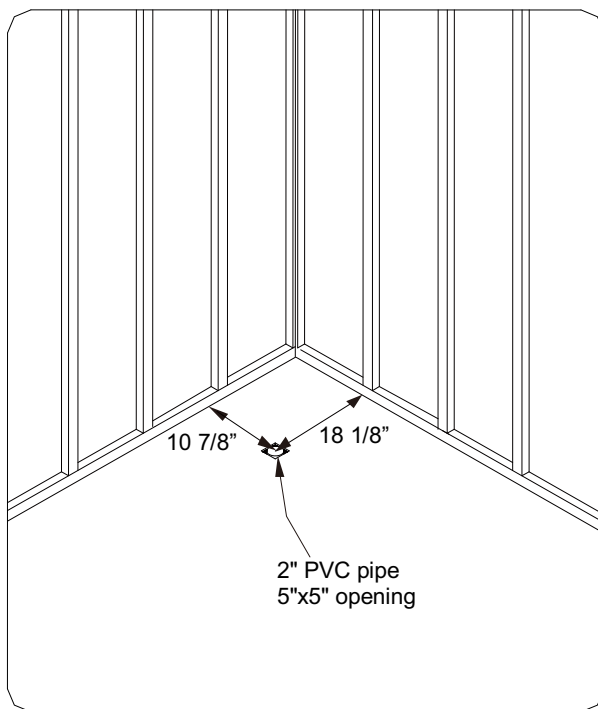


Fig. 1

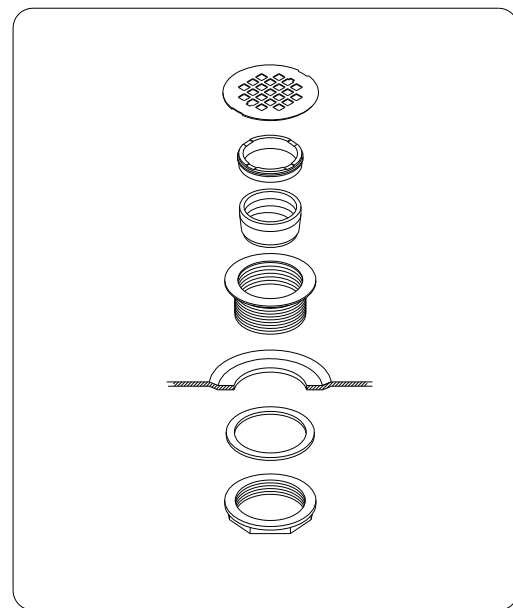


Fig. 2

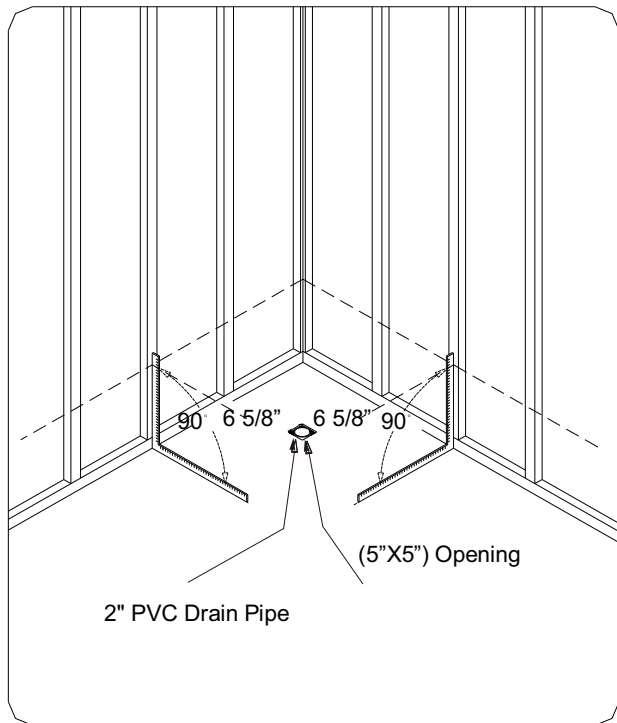


Fig. 3

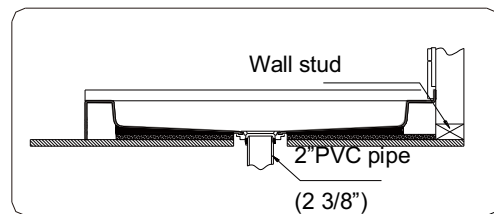


Fig. 4

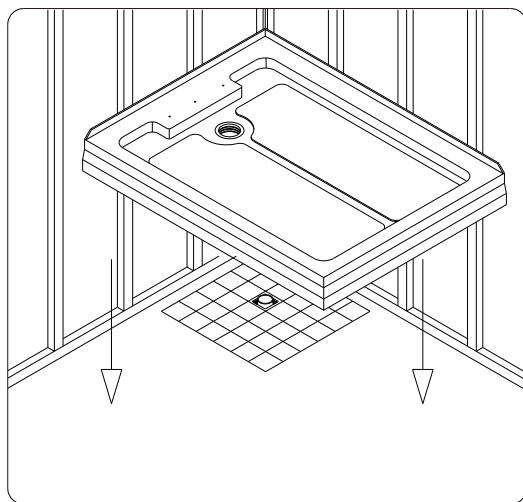


Fig. 5

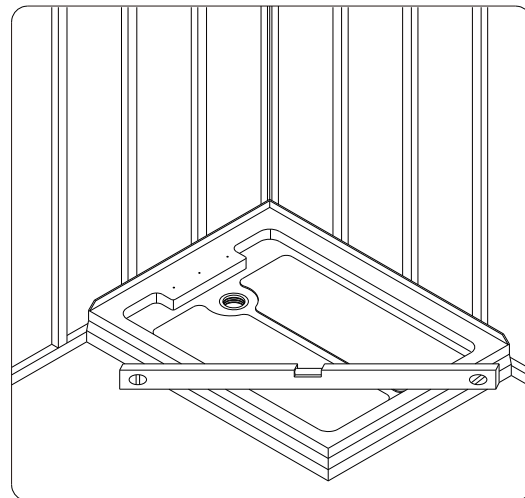


Fig. 6

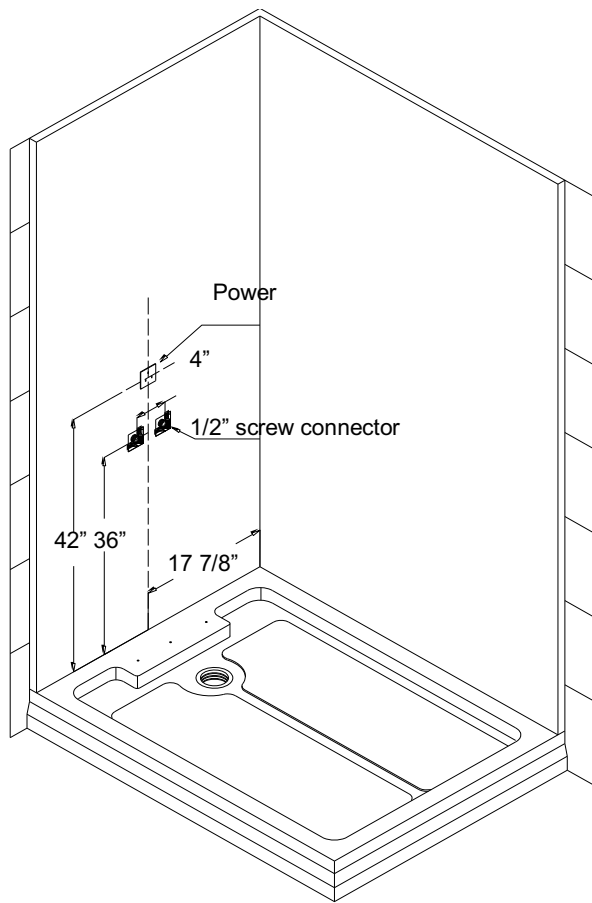


Fig. 7

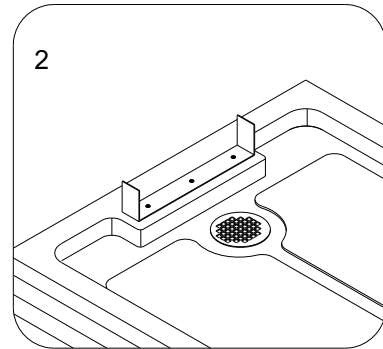
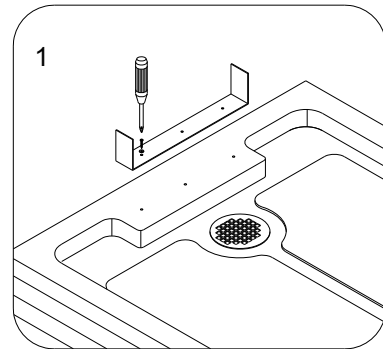


Fig. 8

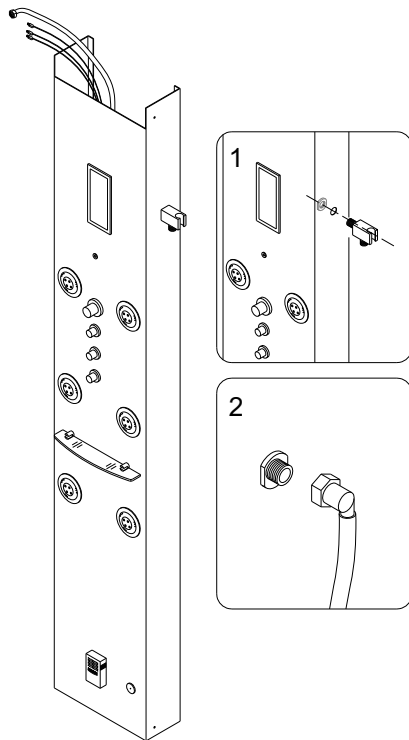


Fig. 9

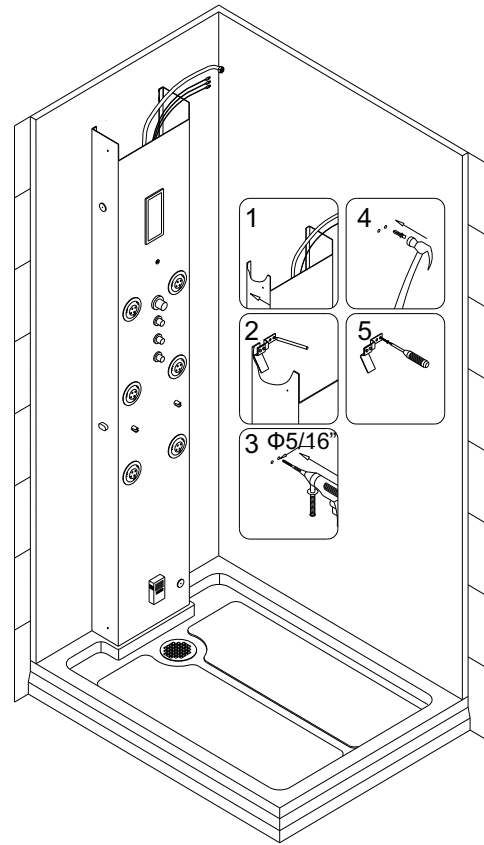


Fig. 10

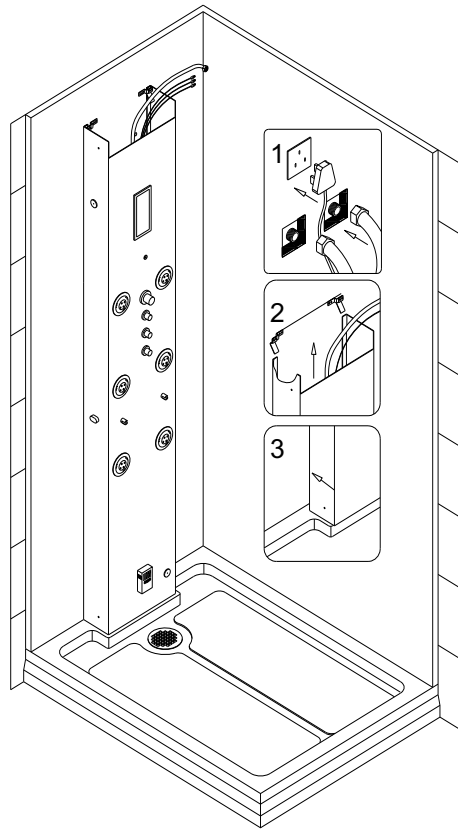


Fig. 11

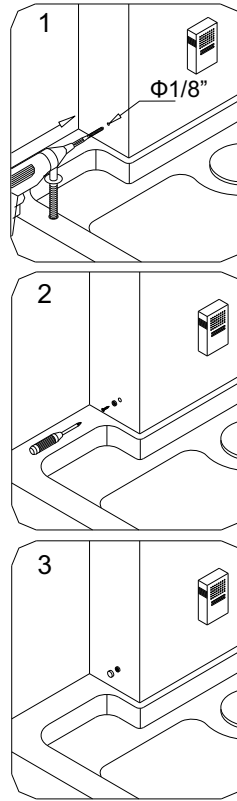


Fig. 12

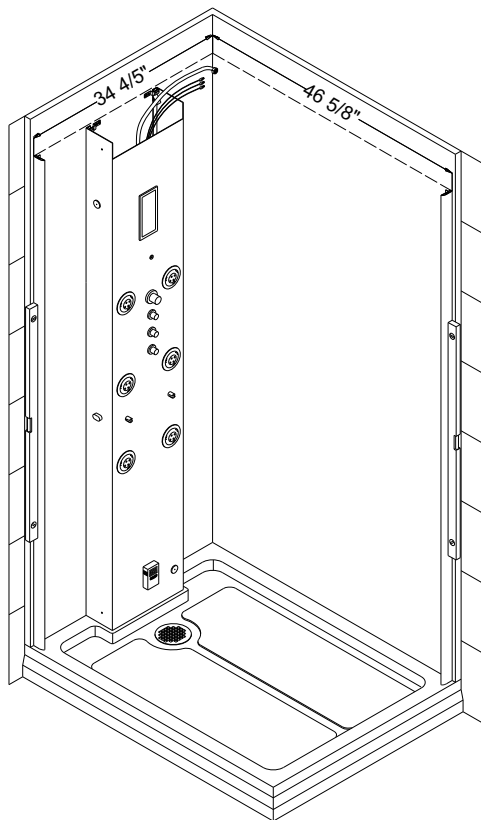
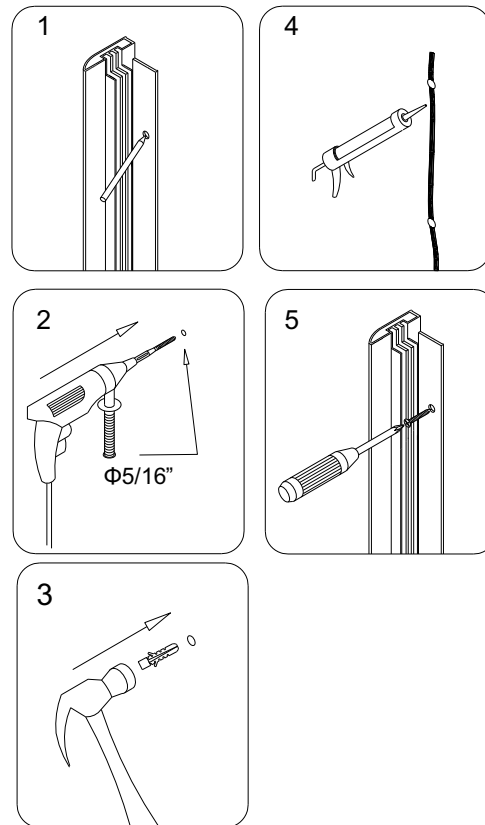


Fig. 13



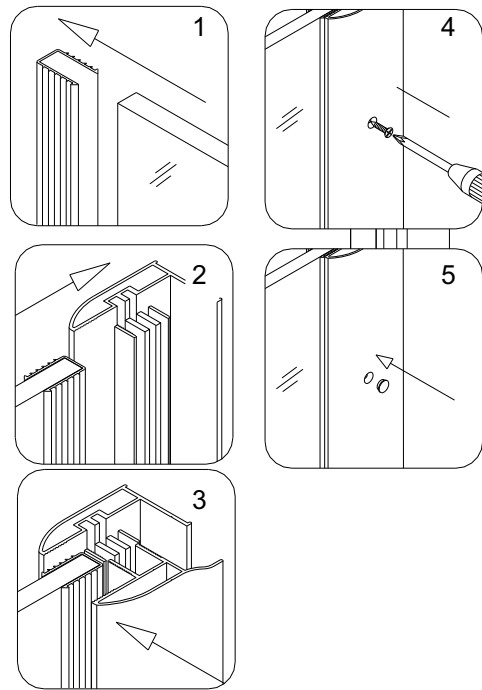
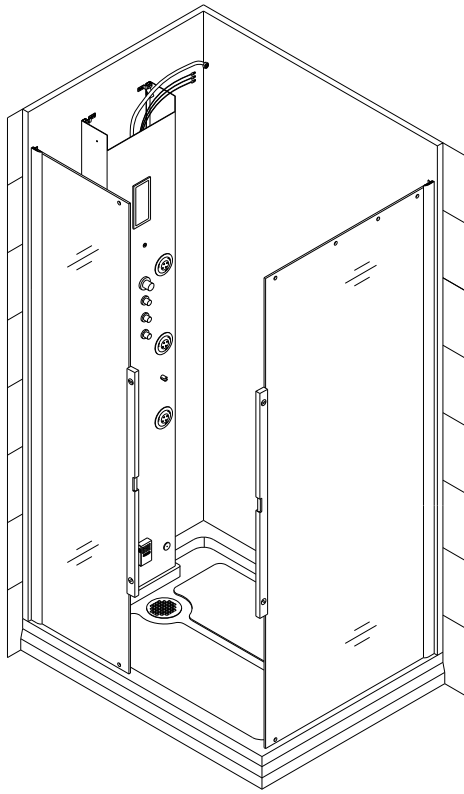


Fig. 14

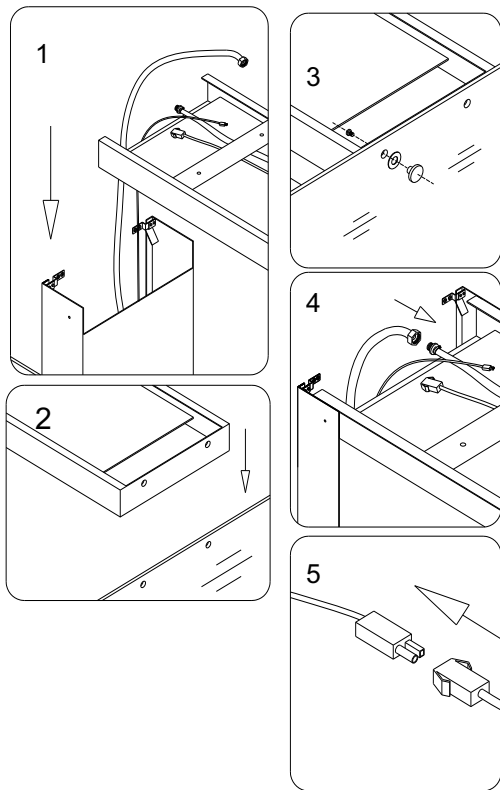


Fig. 15

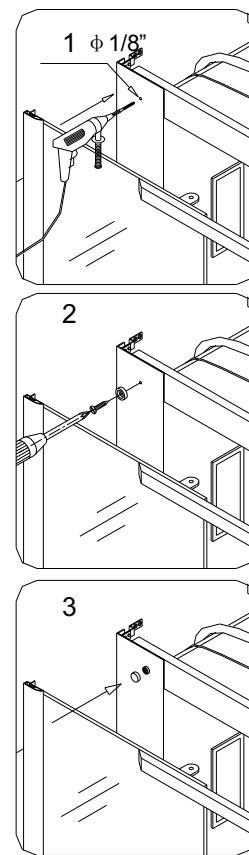


Fig. 16

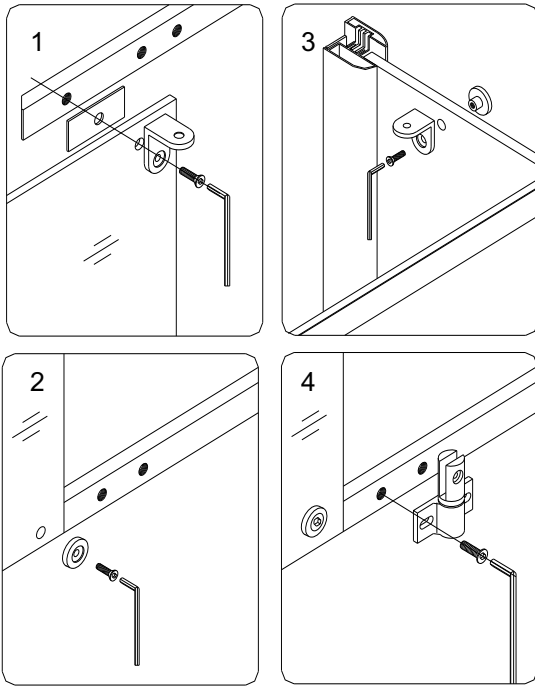


Fig. 17

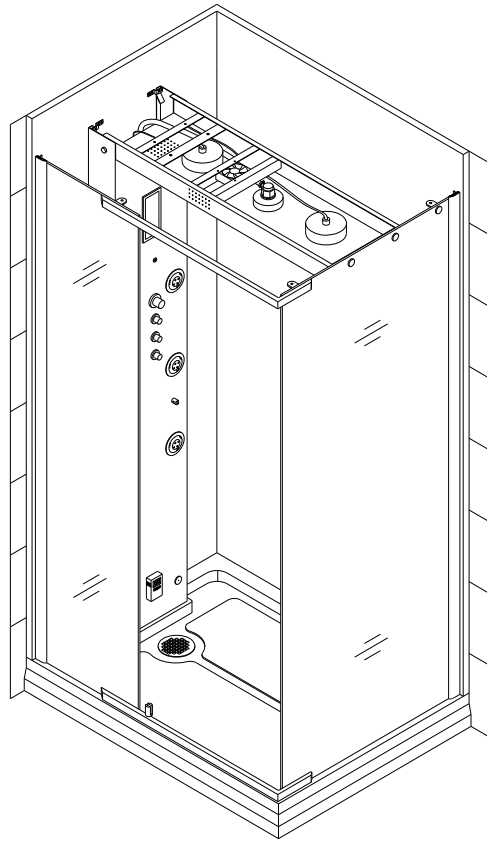


Fig. 18

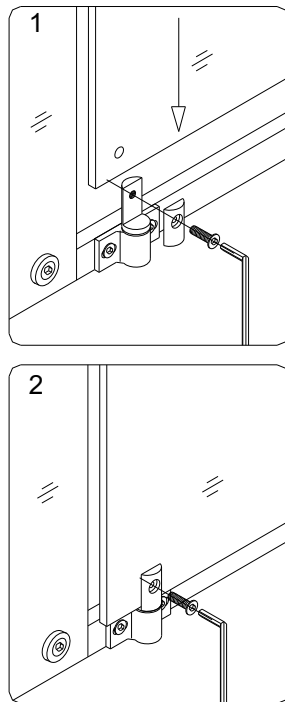


Fig. 19

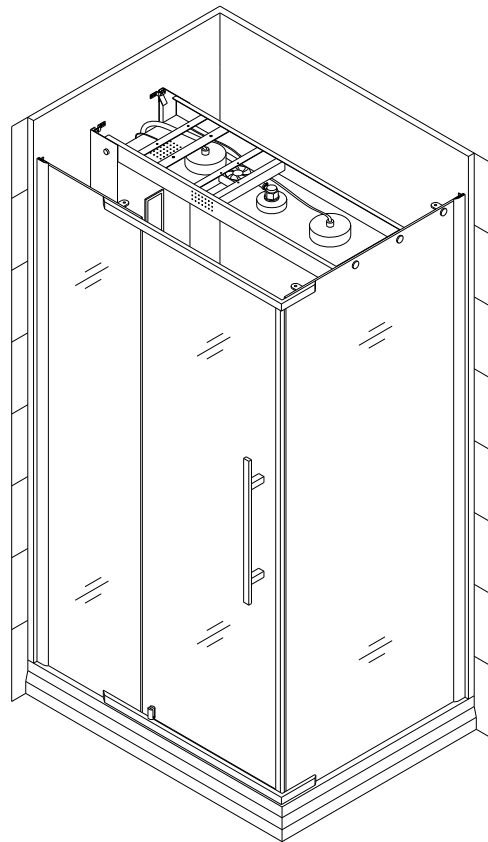


Fig. 20

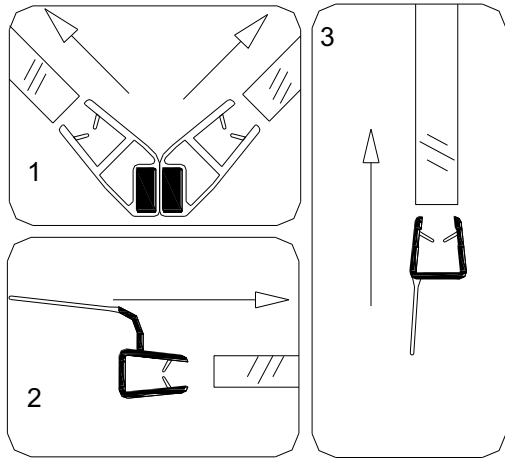


Fig. 21

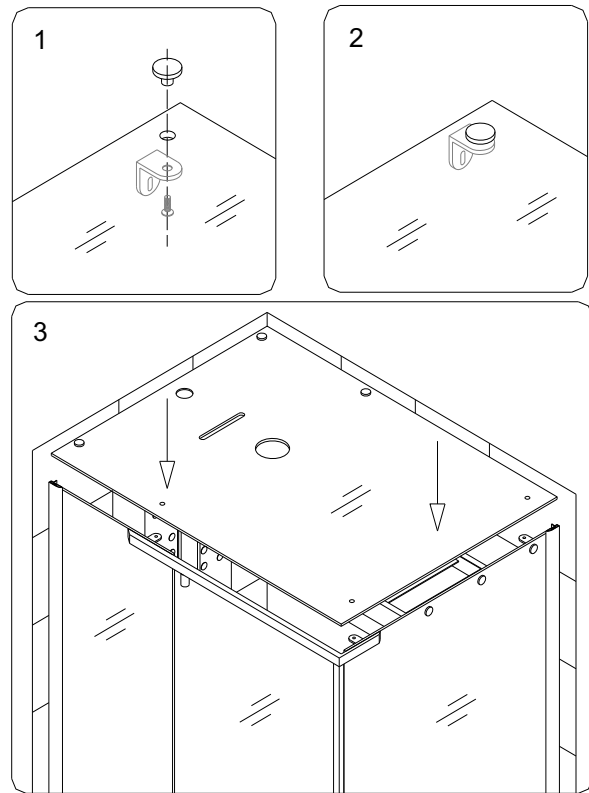


Fig. 22

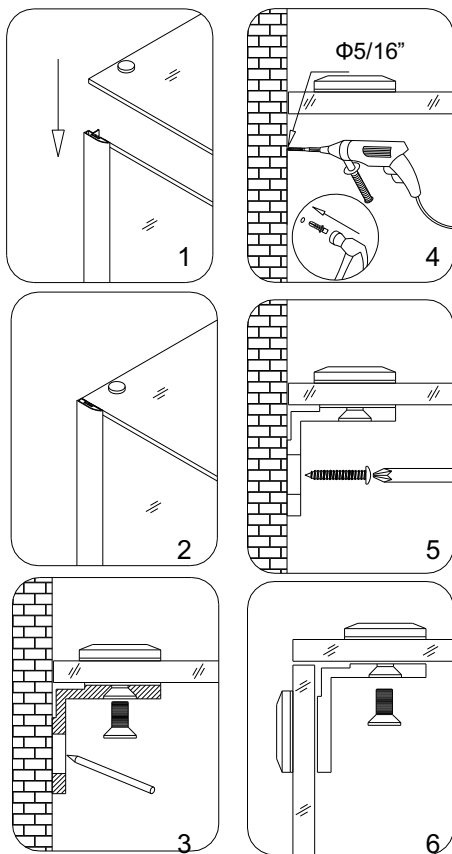


Fig. 23

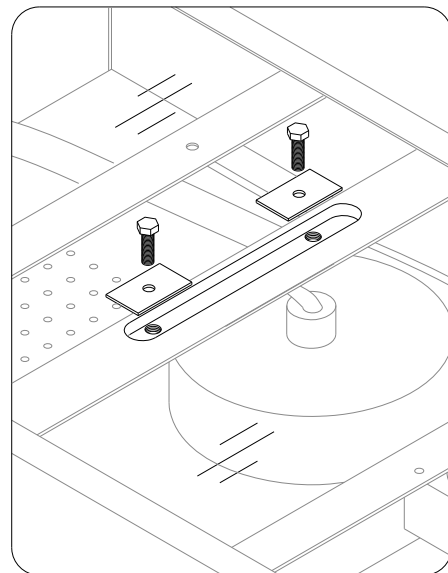


Fig. 24

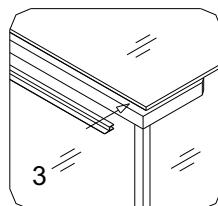
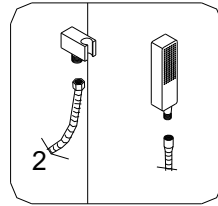
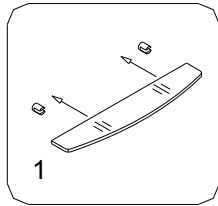
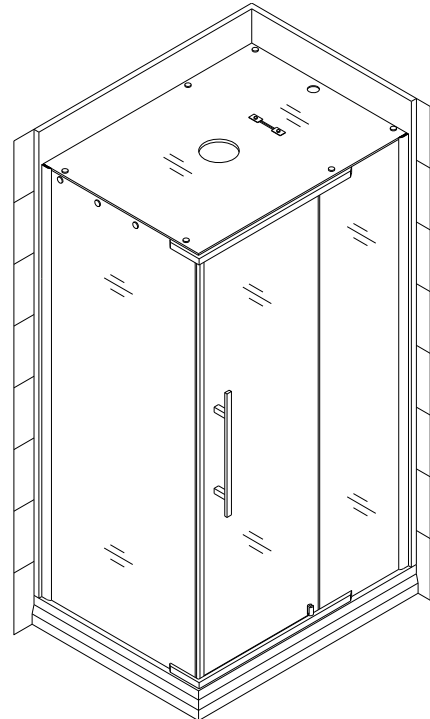
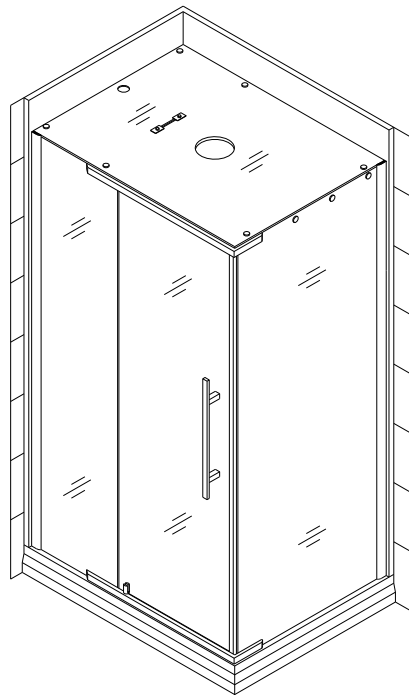
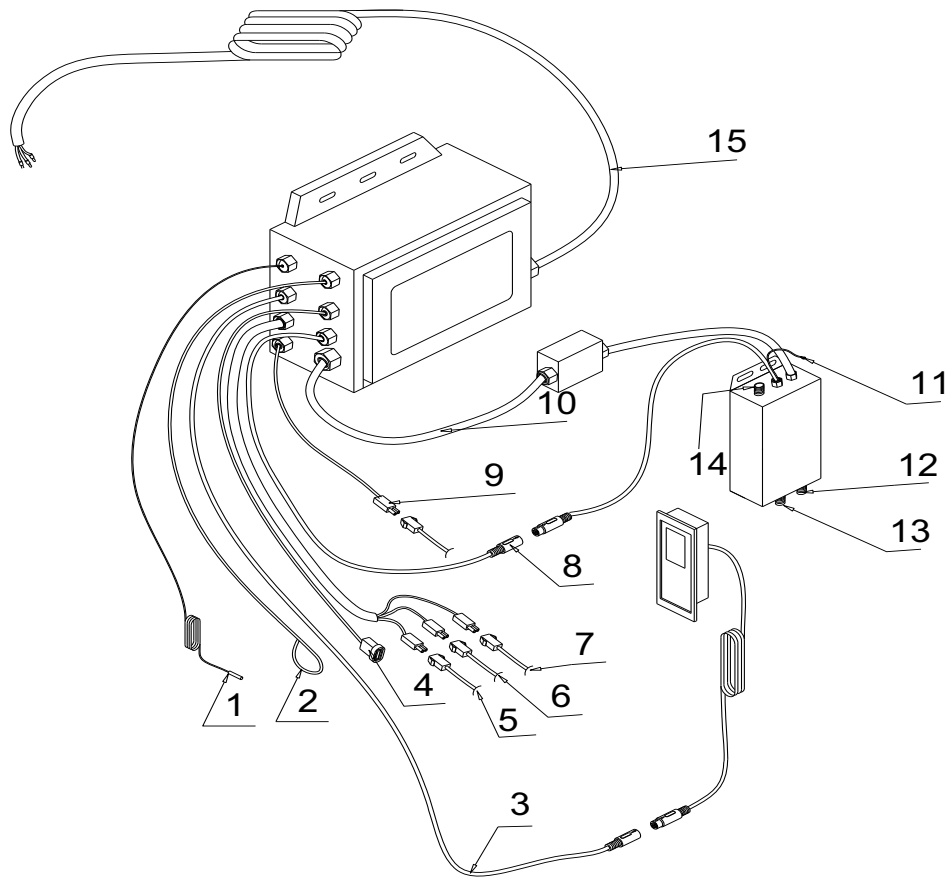


Fig. 25

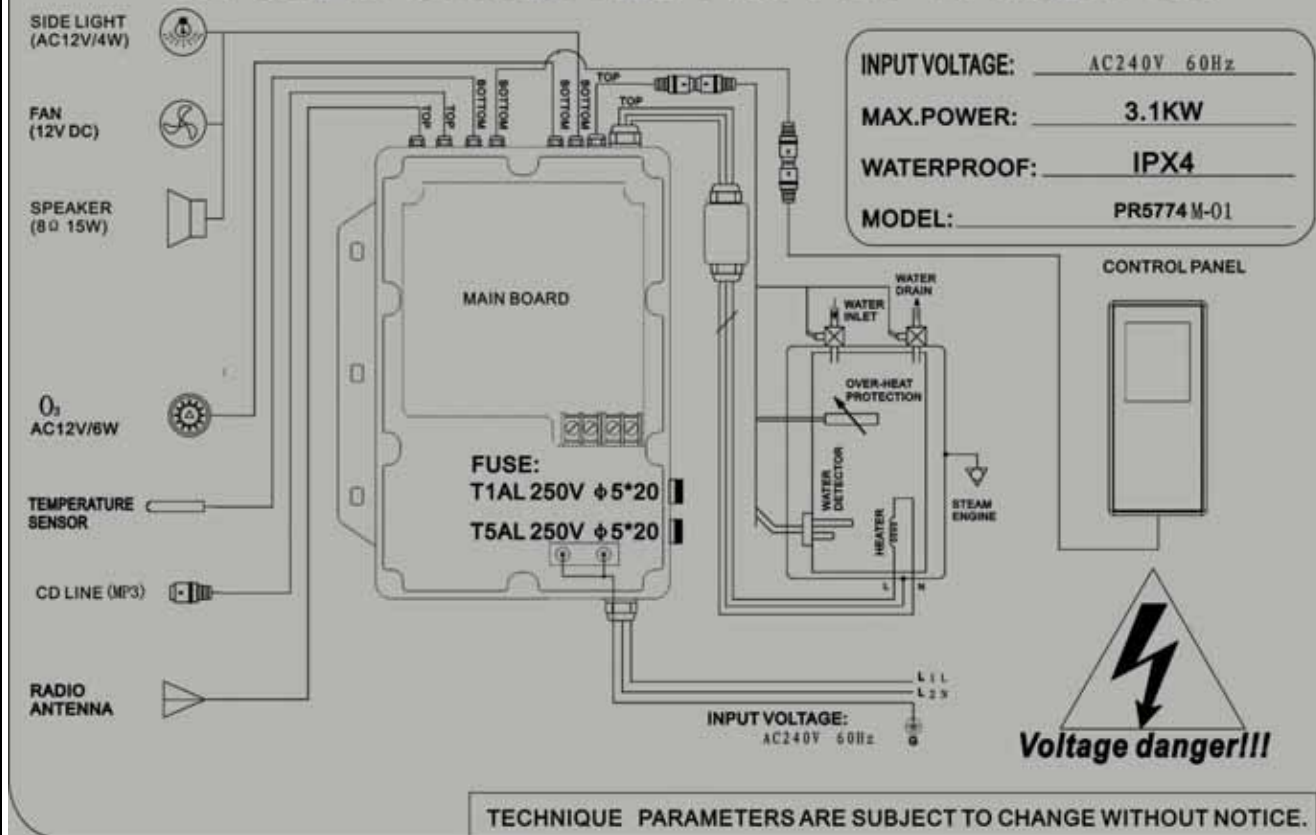




**Steam system power cable connection diagram**

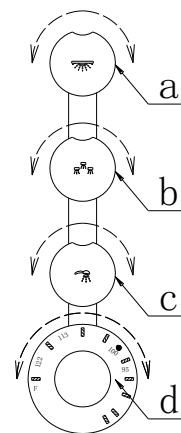
01	Temperature probe
02	Radio antenna
03	Control panel cable
04	MP3 USB port
05	Speaker wire
06	Fan wire
07	Top light power cable
08	Electrical control box
09	Ozone wire
10	Steam generator power line
11	Ground cable
12	Steam outlet
13	Steam water inlet
14	Steamer drain
15	Main power supply

# CONNECTION BLUEPRINT OF STEAMBOX

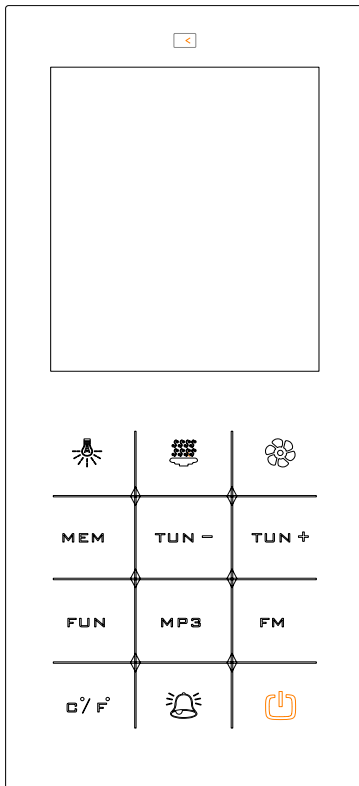


## Using Controls

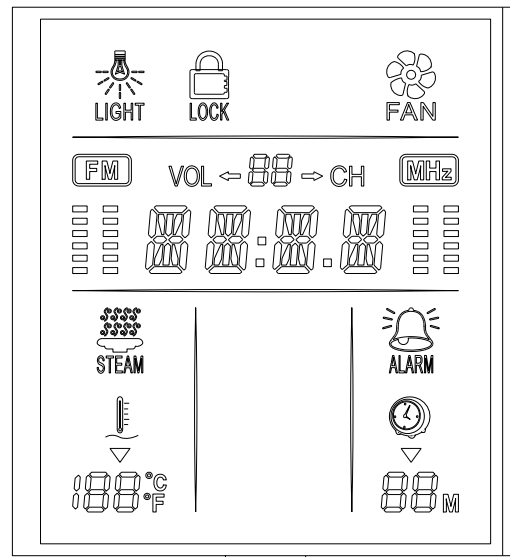
- Valve “a” turns on water of the “tropical rain” head shower.
- Valve “b” turns on water of massage jets.
- Valve “c” turns on water of the hand shower. Turn the revolve cover of the shower head will change water pattern.
- Thermostatic valve “d” adjusts water temperature on any valves you are using.



## Multifunctional steam generator



Control Panel




Icons on LCD Screen

### Operation instructions:

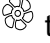
1. When any key is pressed, the buzzer makes a "ding-dong" sound.

#### 2. Power Switch




2.1 When the power supply is connected to the system, the LCD screen displays time.

2.2 When the system is off, just touch the Power key  to activate the control system for the steam generator.


#### 3. Fan

3.1 Touch the key  to start the fan. The fan icon on the screen is displayed. Touch the key again to turn off the fan, and the fan icon disappears from the screen.

#### 4. Lights

4.1 When the system is turned on, the top light illuminates and the icon  is displayed on the screen. Touch the key  on the control panel again to turn off the top light and the icon  disappears from the screen.

#### 5. Steam

5.1 Touch the key  on the control panel, the same icon is displayed on the screen. Inlet valve automatically opens and water flows into the generator.

5.1.1 When the sensor determines that water has filled the tank up to the required level, the water inflow is stopped and the steaming is activated. In accordance with the

internal default settings (the default setting for temperature is 45 °C / 113 F, for timer is 45 minutes), the controller automatically controls temperature in the steam-room. When the water level is low, water will be auto-filled.


**Controlling principles are as follows:**

- If room temperature is 1°C / 33.8F higher than default setting, then the steam generator stops heating;
- If room temperature is 1°C / 33.8F lower than default setting, the steam generator starts heating.

5.1.2 When the temperature and timer is re-set, the system will control the room temperature according to the new settings.

**Controlling principles are as follows:**




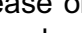
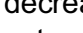
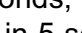
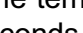
- If room temperature is 1°C / 33.8F higher than the setting, then the steam generator stops heating;
- If room temperature is 1°C / 33.8F lower than the setting, the steam generator starts heating.

5.2 Touch the key  again to turn off the steaming function and the icon disappears from the screen.

5.3 Fahrenheit / Celsius switching






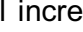
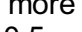
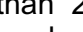
5.3.1 Touch and hold the key °C/°F on the control panel for a few seconds, the system will switch between Fahrenheit and Celsius.

5.4 Temperature setting

5.4.1 Touch the key  on the control panel one time, LCD screen flashes and displays temperature setting. Every time the key  or  on the control panel is touched, the temperature will increase or decrease by 1 °C/33.8F; if  or  is touched and held more than 2 seconds, the temperature will be increased or decreased at the speed of 1 °C / 0.5 seconds. If in 5 seconds, the icon  or  has not been touched, the last set value will be saved, temperature setting will be closed and the system displays the current room temperature.


5.4.2 Temperature setting range: 25 °C - 60 °C / 77F – 140F.

5.5 Timer Setting

5.5.1 Touch the key  on the touch control panel a few times until the LCD screen flashes and displays . At this time every time the key  or  on the control panel is touched, the time will increase or decrease by 1 minute; if  or  is touched and held more than 2 seconds, the time will be increased or decreased at the speed of 1 min / 0.5 seconds. If in 5 seconds, the key  or  has not been touched, the last set value will be saved, timer setting will be closed.

5.5.2 Timer Setting Range: 10 - 60 minutes.

5.6 Automatic Drain

5.6.1 Touch the key  on the control panel to turn off the system. In 15 minutes the steam generator automatically drains and exhaust fan is turned on; in 2 minutes, auto-drain automatically shuts down; in 10 minutes the exhaust fan shuts down (it only happens when the main power supply remains connected).

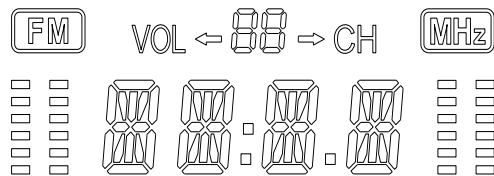
5.6.2 The main power supply is re-connected; the steam generator automatically drains and shuts down in 2 minutes.

## 6. FM radio

6.1 Frequency range: 87.5MHz-108.0MHz.

6.2 FM radio switch

6.2.1 Touch the key **FM** on the control panel to activate the FM radio function, LCD screen displays:



Touch the key **FM** again, the radio function is deactivated, and the above display disappears from the screen.

6.3 Tuning up

6.3.1 Every time the key **TUN+** on the control panel is touched, the frequency will be increased by a unit (1 unit = 50KHz); If the key **TUN+** is touched and held more than 2 seconds, then the system auto searches FM radio frequencies upwardly; digital PLL automatically locks to the FM radio channel found and LCD screen displays the radio frequency. When the maximum frequency of 108.0MHz is reached, touch this key and the frequency jumps to 87.5MHz.

6.4 Tuning down

6.4.1 Every time the key **TUN-** on the control panel is touched, the frequency will be decreased by a unit (1 unit = 50KHz); If the key **TUN-** is touched and held more than 2 seconds, then the system auto searches FM radio frequencies downwardly; digital PLL automatically locks to the FM radio channel found and LCD screen displays the radio frequency. When the minimum frequency of 87.5MHz is reached, touch this key and the frequency jumps to 108.0MHz.

6.5 Volume Control

6.5.1 Volume setting has 40 units and each unit is 2 dB.

Range:-80dB ~ 0dB;

In adjusting process, the LCD flashes and displays volume value and the last set value will be saved.

6.5.2 Touch the key **FUN** on the touch control panel a few times until the LCD screen flashes and displays **VOL ← 88**. At this time every time the key **TUN+** or **TUN-** on the control panel is touched, the volume will increase or decrease by 2dB; if **TUN+** or **TUN-** is touched and held more than 2 seconds, the volume will be increased or decreased at the speed of 10dB /per second. If in 5 seconds, the key **TUN+** or **TUN-** has not been touched, the last set value will be saved and volume setting will be closed.

6.6 Radio channel saving / channel selecting

6.6.1 Radio channel saving: When you want to save the selected radio frequency, touch the key **MEM** on the control panel and hold it for more than 2 seconds and the LCD flashes and displays the locations to save the channel; touch the key again to select the location and then hold the key for 2 seconds to complete saving the radio channel at the selected location.

6.6.2 Channel selecting: touch the key **MEM** on the control panel, the saved channel will be played, and LCD displays the location number and frequency.

## 7. MP3 playback

7.1 Connect a flash drive stored with mp3s to the USB port, touch MP3 Key on the control panel to enter the MP3 player status; Mp3s are played and LCD displays the serial

number of the MP3 being played.

7.2 In MP3 player status, touch the key **TUN+** or **TUN-** to forward or backward Mp3s.

## 8. Time Setting



8.1 Touch the key **FUN** and hold it up to 2 seconds, and LCD flashes and displays the value of hours; every time the key **TUN+** or **TUN-** is touched, the value will increase or decrease by one hour; If in five seconds, the key **TUN+** or **TUN-** has not been touched, the last set value will be saved and the time setting will be closed.

8.2 Touch the key **FUN** and hold it up to 2 seconds, and LCD flashes and displays the value of hours, then touch the key **FUN** again LCD flashes and displays value of minutes; every time the key **TUN+** or **TUN-** is touched, the value will increase or decrease by one minute; If in five seconds, the key **TUN+** or **TUN-** has not been touched, the last set value will be saved and the time setting will be closed. .

## 9. Ozone Function

9.1 In 25 minutes after the system is off, ozone automatically opens and shuts down automatically in 10 minutes. (Main power supply remains connected).

## 10. Alarm

When the system is on, touch the key  to activate the alarm. The siren alarms and LCD displays the alarm icon . To shut it off, you have to touch the power key and system enters standby mode.

## 11. Key Lock

If in 30 seconds no key is touched on the control panel, the system automatically locks all the keys and LCD screen displays "LOCK". At this time all the keys on the control panel are nonfunctional. To unlock, touch any key on the control panel for at least 3 seconds. If the "LOCK" icon disappears from the screen, then keys are unlocked.

## Intelligent self-checks

1. The system can self-check four types of malfunctions and give alarms.

2. Malfunctions are defined as follows:

**2.1 E1: temperature sensor fault:** When the temperature sensor is disconnected or short-circuited, the LCD screen displays "E1" and buzzes. All keys on the control panels become nonfunctional. If this fault occurs, you have to disconnect the main power supply, and check and repair the sensor. After the malfunction is fixed, the system will return to normal.

**2.2 E2: Water Level sensor fault:** When using the steam function, the water level sensor fails: for example the water level is below the designed level, there is no inflow, the probing node is scaled, etc. The LCD screen displays "E2", and buzzes; the steam generator stops heating until the water level is normal and "E2" disappears.

**2.3 E3: the water level sensor timeout:** When the "E2" fault alarms over 2 minutes and the main power supply has not been disconnected or faults have not been cleared, then the LCD displays "E3" and buzzes. At this time, you have to disconnect the main power supply, after any fault is cleared, the system will return to normal.

**2.4 E5: dry heating fault:** When the water level sensor fails, little water is in the generator and the steam generator still continues heating, the internal temperature of the generator rises; if the temperature  $\geq 108 / 226.4F$ , the LCD screen display "E5" and buzzes. The steam generator stops heating. At this time, you have to disconnect the main power supply, after any fault is cleared, the system will return to normal.

**2.5 E6: Steaming System Fault:** When the system detects a failure of the steaming system, the LCD displays "E6" and buzzes. The steam generator stops heating. At this time, you must disconnect the main power supply, and ask a specialist to check the drain valve,

drainage channel, water level sensor and heating wire. Only when faults are cleared, then power on the system.

**If not used for a long time, switch off the main electric power to the generator and do not let it be charged with electricity.**

### **Warnings**

- ◆ Do not connect this steam shower with other electrical appliances not recommended by DreamLine™, and do not take apart the hermetically sealed lines or the electric lines from the power box.
- ◆ A drainage pipeline shall be connected to the auto-drain valve of the main steam generator, and it's better to add a water filter before the water entrance to increase generator's service life.
- ◆ The steam generator should be working with water hardness levels 60-120 mg/l. If hardness of your water is more than recommended it can cause "scale" (mineral build up in pipes and plumbing fixtures). Scale can cause damage to your steam unit. You need to treat your water. Water softeners are the most frequently used of all water-conditioning devices and are installed for reducing hardness for private wells and utility supply with high levels of calcium or magnesium.
- ◆ The line from the power box shall be hard wired according to the DreamLine recommendations.
- ◆ The steam generator shall be installed by the qualified and authorized technical persons.

**DreamLine™ shall not be responsible for negative consequences due to any incorrect installation or improper operations per instructions listed above.**

### **Product Maintenance**

1. Tempered glass can be cleaned with nonabrasive bathroom cleaner or any glass cleaner you use elsewhere in your home. Rinse off any glass cleaner that gets on the aluminum as soon as possible to avoid damage to the anodized surface. Avoid striking it with any sharp or hard objects. Such damage can cause either immediate or delayed breakage of tempered glass.

2. The aluminum in your shower door is durable and resistant to water damage. It is advisable, but not necessary to wipe it with your towel after your shower. Clean it as often as needed to keep the buildup off. Never use any type of abrasive cleaner. Use only a soft damp cloth and nonabrasive bathroom cleaners.