

**Model: CB3028**

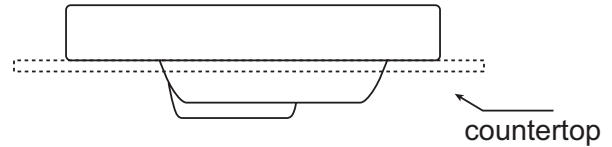
### Drain Installation Guide

For Sinks with overflow above counter

#### Step 1

Position and cut a rectangular hole on countertop no bigger than 21" W x 17" D(max) set sink and seal with silicone adhesives or caulking

1



#### Step 2

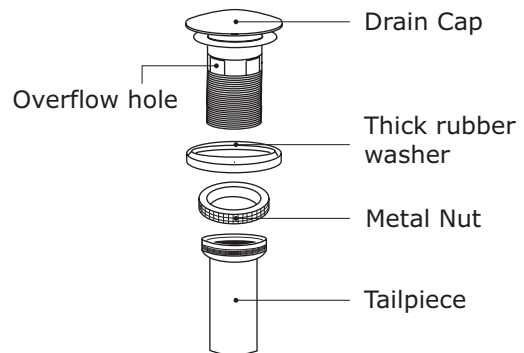
##### Drain assembly picture

Place a generous portion of plumbers' putty under drain cap and insert whole drain body inside the bowl and through the countertop.

\*There may be a small beveled rubber washer packaged with your drain, please discard this and use plumbers' putty instead.

2

#### DRAIN Model: D8002



#### Step 3

From under the drain, insert the thick rubber washer and screw on and tighten the metal nut. Remove excess plumbers' putty.

3



#### Step 4

Attach p-trap to tailpiece.

4

